

Product Specs Sheets

Cover Page

Vision 6160 WG

Features

- Bathroom Sink
- Made of Ceramic
- Glossy White Finish
- Without Overflow
- Countertop (Vessel) Installation
- Thin Edge: Reduced Thickness for a Captivating Design
- Made in Europe



Related Items:

- WSBC 00076 Push Waste Drain
- WSBC 53922 | Decorative Trap

Finishes:

 Glossy White

SKU# | Options:

- Vision 6160 WG Glossy White

Codes & Standards:

- UL Certified
- ASME A112.19.2/CSA B45.1 Certified
- Massachusetts Plumbing Approved

* WS Bath Collections reserves the right to revise dimensions or information on this sheet without notice

Collection |
Vision

Model |
Vision 6160 WG

Dimensions Metric

1 inch = 2.54 cm

1 inch = 25.4 mm

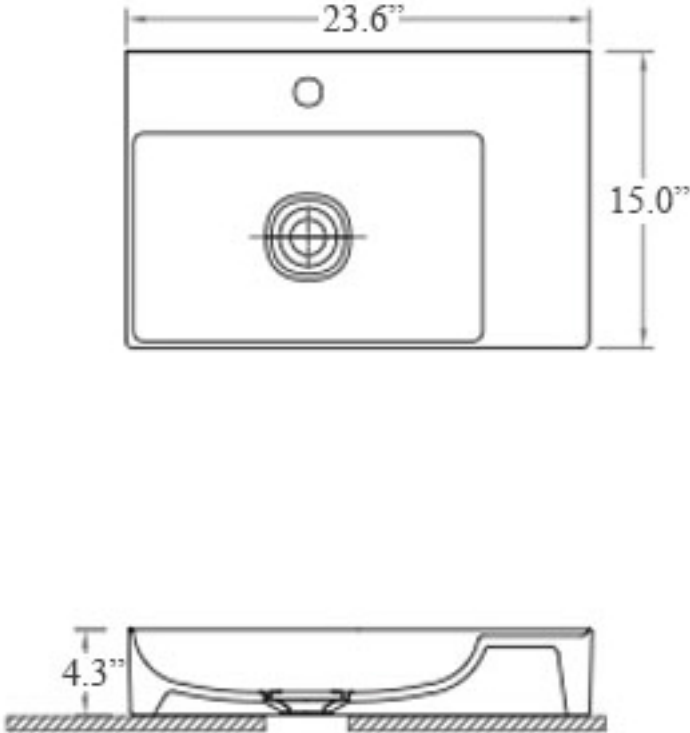
WS[®]
BATH
COLLECTIONS

1051 Lea Drive - Collegeville, PA 19426


Tel. 215 513 9400 - Fax 610 831 0215

www.ws bathcollections.com - info@ws bathcollectins.com

Vision •••••



* WS Bath Collections reserves the right to revise dimensions or information on this sheet without notice

<p>Collection Vision</p>	<p>Model Vision 6160 WG</p>	<p>Dimensions Metric <i>1 inch = 2.54 cm</i> <i>1 inch = 25.4 mm</i></p>	<p> 1051 Lea Drive - Collegeville, PA 19426 Tel. 215 513 9400 - Fax 610 831 0215 www.ws bathcollections.com - info@ws bathcollections.com</p>
---------------------------------------	--	--	---

We recommend the following items that work with your sink.

Vision 6160 WG

TRAPS



WSBC 53922
Our best seller

 Polished Chrome
WSBC 53922.29

 Matte Black
WSBC 53922.22



WSBC 5392

 Polished Chrome
WSBC 5392.29



WSBC 53925

 Polished Chrome
WSBC 53925.29



WSBC 53921
Space saving

 Polished Chrome
WSBC 53921.29

 Matte Black
WSBC 53921.22

DRAINS



WSBC 00076
Push waste drain (click clack) - universal with or without overflow

 Polished Chrome
WSBC 00076.29

 Glossy Black
WSBC 00076.18

 Glossy White
WSBC 00076.09

 Matte Black
WSBC 00076.22

 Matte White
WSBC 00076.26

MOUNTING HARDWARE

Wall-mount installation

Vessel/ countertop installation



Bolts



Silicone (optional)

Collection
Vision

Model |
Vision 6160 WG

Dimensions Metric
1 inch = 2.54 cm
1 inch = 25.4 mm

WS[®]
BATH
COLLECTIONS

1051 Lea Drive - Collegeville, PA 19426
Tel. 215 513 9400 - Fax 610 831 0215
www.ws bathcollections.com - info@ws bathcollections.com